



MFR-4K

Hermetically Sealed 4K PTZ Camera

The MFR-4K is a very rugged PTZ camera environmentally sealed for use in harsh environments.

It incorporates a camera with a 4x Full HD resolution and a 20x optical zoom lens supporting a 70° wide angle of view. It is capable of outputting Quad Full HD, Full HD or lower video resolutions via a water proof HDMI connector.

To ensure it retains its performance and clear optics across a wide range of changing environmental conditions it is a hermetically sealed and can be purged with either dry air or nitrogen.

It has absolute position feedback and therefore has the ability to self correct its actual position if external forces act upon it. It also offers eight user preset settings that can be saved allowing PTZ framing and camera racking profiles to be easily recalled.

The pan and tilt drive trains are actuated by gearless stepper motors, reducing the operational noise to a minimum. Pan and tilt speeds are zoom factor corrected, giving fine control over the entire range of the lens with pan speeds up to 100° per second.

Remote control of the camera and motor drives is via Sony Visca or PelcoD protocols over RS232 or RS485 serial connections.

Power and data to the camera is via its Fischer minimax connector.

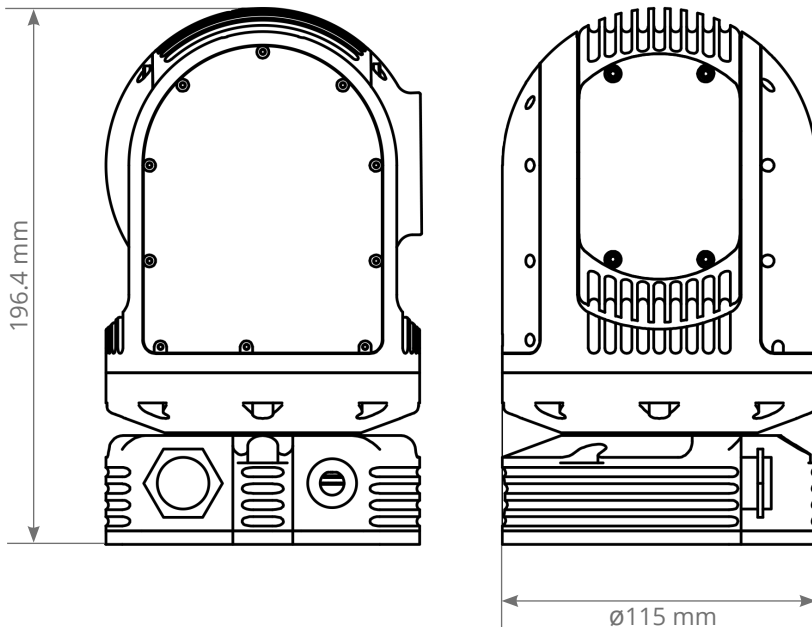
The outer casing is manufactured from aluminium. All external mating surfaces are gasket sealed to maintain its IP67 rating.

Overview

HDMI Output
4x Full HD Resolution
Selectable Resolutions
20x Optical Zoom
30x Zoom Without Compromise
Dry Air or Nitrogen Purged
Fast Pan Speeds, 100°/Sec
Progressive Speed Control
High Resolution Positioning
Position Recall
User Presets
Multiple Control Protocols
IP67 Rated
Aluminium Casing



Overall Dimensions



Kit Contents	
MFR-4K Camera	
Power Comms Cable	
2m HDMI Cable	
AC/DC 12V 3A Power supply	
USB Memory Stick	
Peli Case	
Part Number	
MFR-4K Kit	110-0035

Specifications			
QFHD Resolution	2160p/29.97, 2160p/25	Purge Type	Dry Air or Nitrogen
FHD Resolution	1080p/59.94, 1080p/50	Video Interface	HDMI
Sensor	1/2.5 Type CMOS	Control Protocol	Visca, PelcoD
Pixels	8.51M	Pan & Tilt Range	270° Tilt, Continuous Pan
Optical Zoom	20x	Pan & Tilt Drive	Low Noise Stepper
Digital Zoom	1.5x QFHD, 2.0x FHD	Power Requirement	9-18V DC, 11.5W
Lens	f=4.4mm to f=88.4mm	Environmental	IP67
Field of View	70° to 4°	Weight	1.5kg
Sensitivity	0.06 lux, ICR Off	Dimensions	ø 115 x 196.4 mm
Image Stabilisation	Enabled	Casing	Aluminium

Visual Engineering Technologies LTD

Kemps Farm
Stanway
Colchester
Essex
CO3 8NB
UK



Product specifications subject to change without notice

Tel: +44 (0)1206 211842
Web: www.visualengineering.co.uk
Email: sales@visualengineering.co.uk