



HD-SDI to H.264 Video Encoder

Converts an HD-SDI Video to an H.264 IP Stream

A simple to use rugged in-line module that accepts an HD-SDI video stream and outputs an ONVIF compliant H.264 IP stream.

Together with the built-in microphone it provides a complete hardware solution to translate HD-SDI video and audio and broadcast it as encoded IP.

Through the integral web page interface the user can set various parameters of the encoded output video to include resolution, frame-rate and bit-rate parameters.

The accepted video input frame rate can be adjusted to either 1080p or 720p to match the connected HD-SDI camera.

Motion alerts can be configured such that the any movement in the picture will trigger an alarm.

The IP stream is ONVIF compliant such that the unit can be easily integrated and viewed in any Video Management System of choice, such as Milestone.

Both the input and output connections incorporate high quality Fischer connectors. So as to avoid incorrect cable installation each connector is key specific.

This is all housed in a CNC machined aluminium IP67 casing to produce a high quality unit that is robust, reliable and suitable for professional use.

The kit comes in a foam lined case which includes an AC/ DC power supply and all interface cables.

Overview
HD-SDI Video Input
H.264 IP Stream Output
ONVIF Compliant
Integral Microphone
Configurable Output video
Selectable Input Video Resolution
Web Page Control Interface
Motion Triggers
Video Player Software
Interconnect Cables
Fischer Connectors
Rugged Build
IP67 Waterproof
Low Power
Compact Size



Kit Contents with Part Numbers

The kit comes complete in a foam lined carry case.

- The HD-SDI H264 Encoder Kit 110-0048

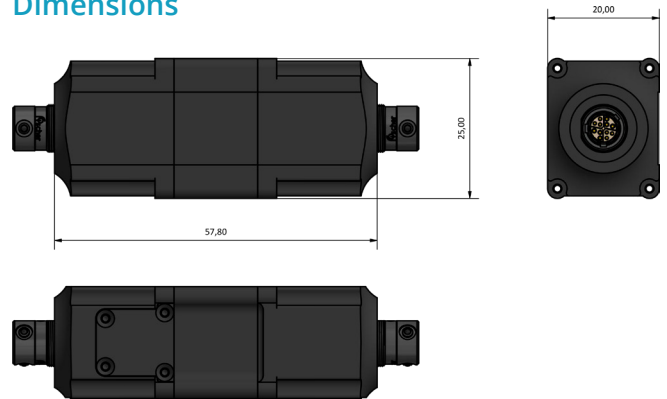
Comprising of the following parts:

- HD-SDI H.264 Encoder 110-0235
- Fischer BK2 to BNC HD-SDI Cable 110-0237
- Fischer CAT 5 Cable 110-3507
- Passive PoE Cable Set 110-8301
- Mains to DC Power Supply* 110-8661
- USB Memory Stick** 110-8679

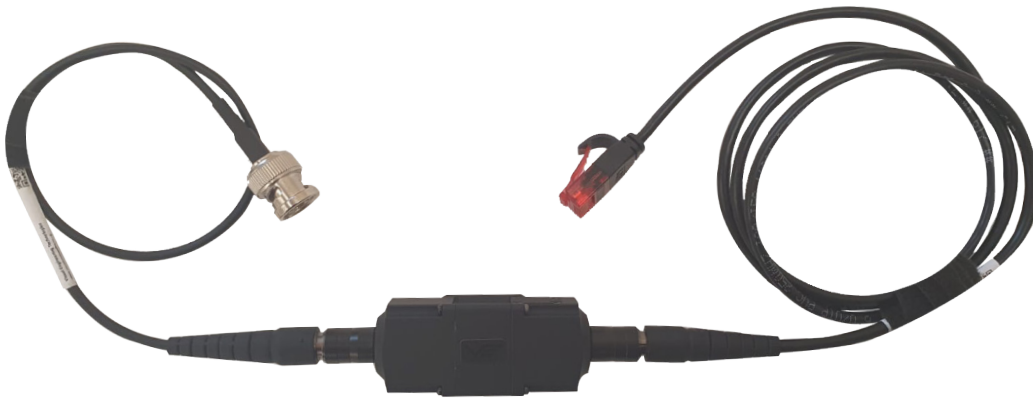
*15V, 1.6A with world adaptors

**Includes supporting documentation

Dimensions



HD-SDI Video In



H.264 Encoded Video Out

Specifications

Input Video	HD-SDI	VMS Compliance	ONVIF
Video Encoding	H.264 and MJPEG	Input Voltage	5 to 16V DC
Audio Encoding	G711	Power Consumption	2.5W
Microphone	Integral	Temperature	-20 to +50°C
Output Video Resolutions	1920x1080 to 320x180	Environmental	IP67
Input Video	1080p or 720p	Weight	48g
Streaming Protocol	RTSP over TCP or UDP	Dimensions	58 x 25 x 20mm

Visual Engineering Technologies LTD

Kemps Farm
Stanway
Colchester
Essex
CO3 8NB
UK



Tel: +44 (0)1206 211842
Web: www.visualengineering.co.uk
Email: sales@visualengineering.co.uk